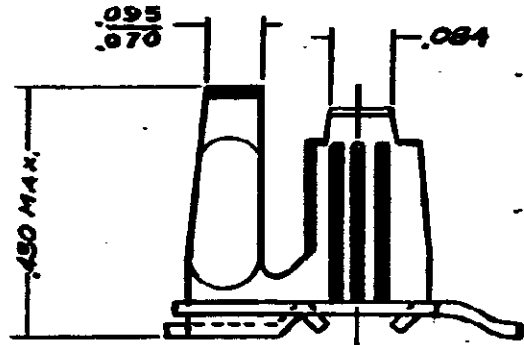
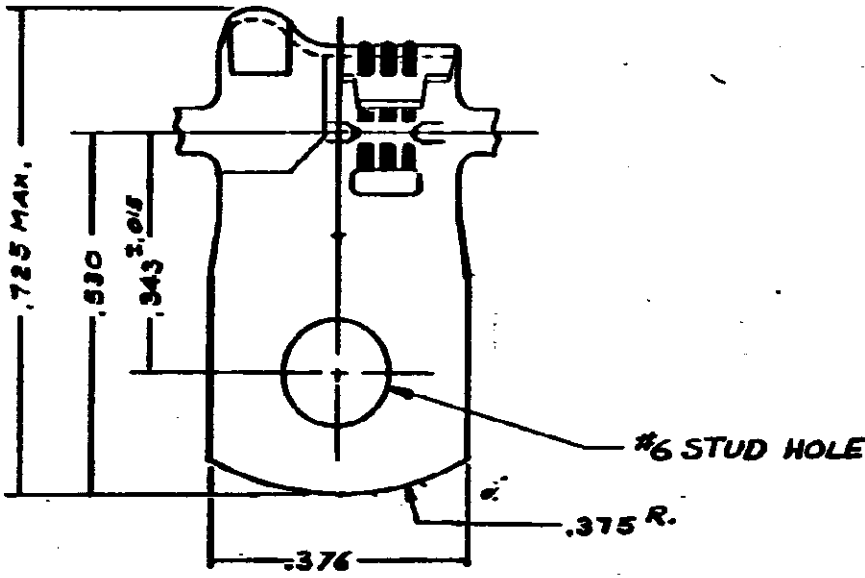



 SUPPLEMENT TO  
**42189**

USED ON



REV.	NO.	DATE	BY	REASON
1				
2				
3	X			
4				
5				
6				
7				
8				
9				
10				
11				
12				
13				
14				
15				
16				
17				
18				
19				
20				
21				
22				
23				
24				
25				
26				
27				
28				
29				
30				
31				
32				
33				

MATERIAL: .0176 COMM. BRASS  
 FINISH: 42189-1 TIN

© THE 2 BY AMP INCORPORATED  
 AMP PRODUCTS COVERED BY PATENTS  
 AND/OR PATENTS PENDING.

**CUSTOMER DRAWING**

AMP INCORPORATED  
 AUTOMATIC MACHINE DIVISION  
 HARRISBURG, PENNA.

FLAG KING

WIRE RANGE #18 - #12  
 INSULATION RANGE .110 - .210  
 TOLERANCES- ALL DIMENSIONS ±.010, EXCEPT AS NOTED.

NO. **01 RESTORATION** ALTERATION DATE **8-85** BY **[Signature]** E.C.R.

BY **D. GILKELI** 5-22-59  
 BY **D.E. J. HENDBLET** 5-22-59  
 BY **DILLIPLANE** 5-22-59  
 BY **E.S. K. [Signature]**

SCALE: **4-1** SUPPLEMENT TO **42189**